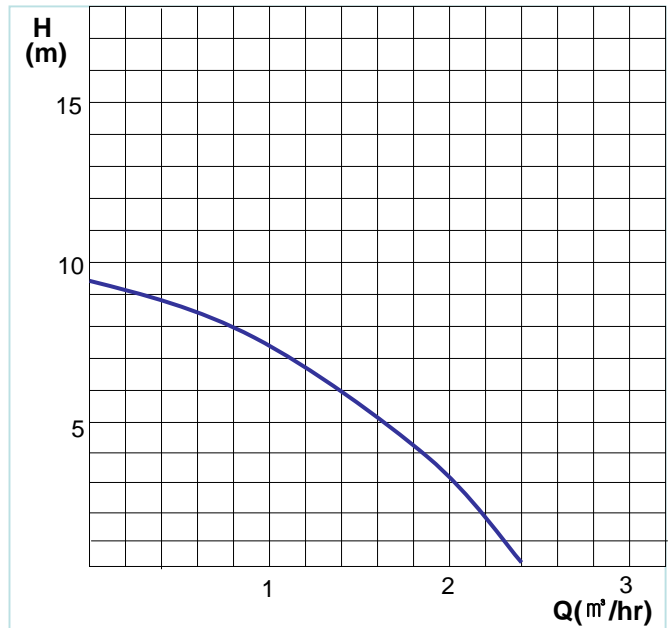


# Home Booster Pump



**PB-088EA (50Hz)**



## Application

- Pressure boosting
- Roof tank to tap water transfer

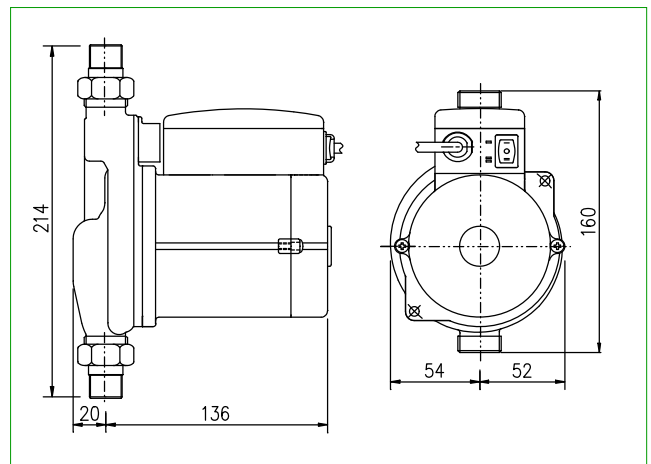
## Advantages

- Stable & Constant water pressure
- Easy installation with Union
- Low noise level : 39~41dB
- Manual/Off/Auto optional operation
- Motor built with Thermal Protector for safety
- Rust-proof by electric coating of casing

## Technical Data

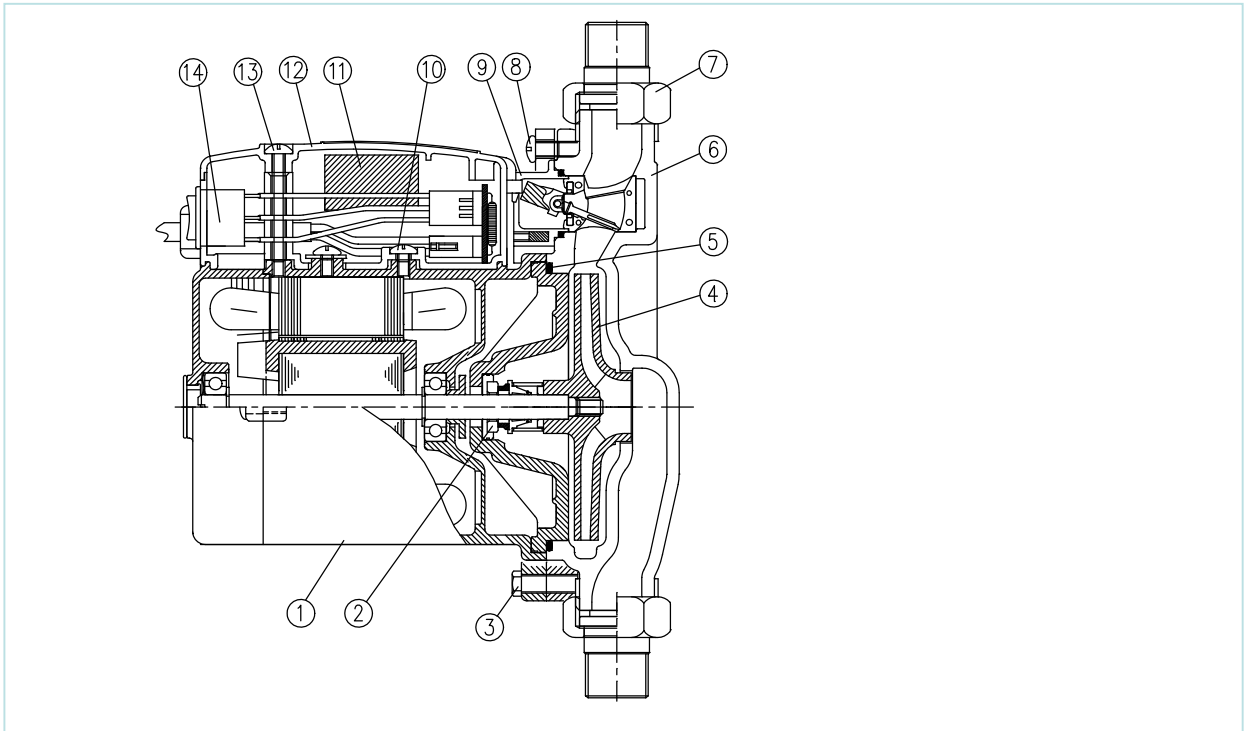
Approved fluids	Clean water
Power Source	220V, 50Hz, Single phase
Max.flowrate	2.4 m <sup>3</sup> /hr
Max.head	9.5m
Rated speed(rpm)	2900
Fluid temperature	0 °C to +60 °C
Ambient temperature	Up to +40 °C
Max.working pressure	3bar
Flow switch "on" flowrate	0.12 m <sup>3</sup> /hr
Motor insulation class	E
Voltage tolerance	± 10%

## Unit Diagram



# Home Booster Pump

## Sectional Drawing

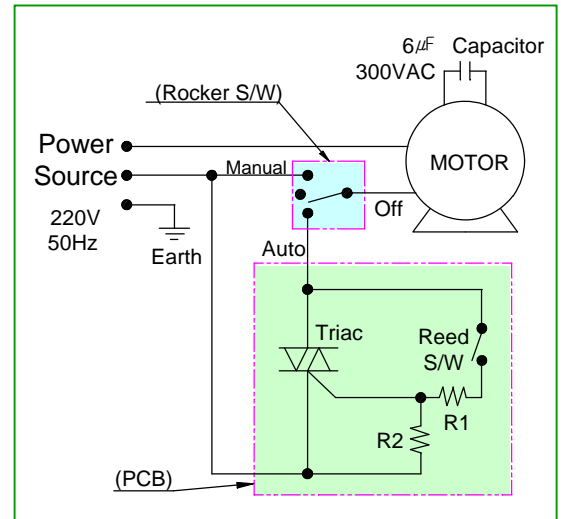


## Part List & Material

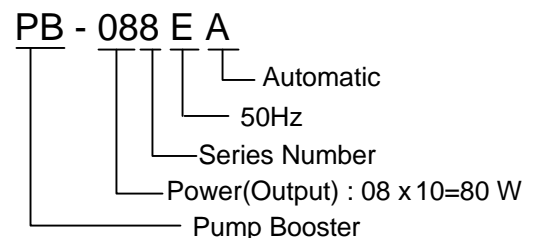
No.	Part Name	Quantity	Material
* 1	Motor Assembly	1	-
* 2	Mechanical Seal	1	Carbon & Ceramic
3	Hex Bolt	2	SM20C
* 4	Impeller	1	Noryl + G/F 20%
* 5	O-Ring	1	Rubber(NBR607)
* 6	Casing	1	Cast Iron (GG20)
7	Union & Nipple	2	Brass(CuZn40Pb2)
8	Screw	2	SM20C
* 9	Flow Valve Asm	1	PP + G/F 30%
10	Screw	2	SM20C
* 11	Condenser	1	6 $\mu$ F / 300VAC
* 12	Terminal Cover	1	PP + G/F 30%
13	Screw	1	SM20C
14	Rocker Switch	1	Manual - Of f- Auto

\* Recommended Spare Parts

## Wiring Diagram



## Identification



# Home Booster Pump



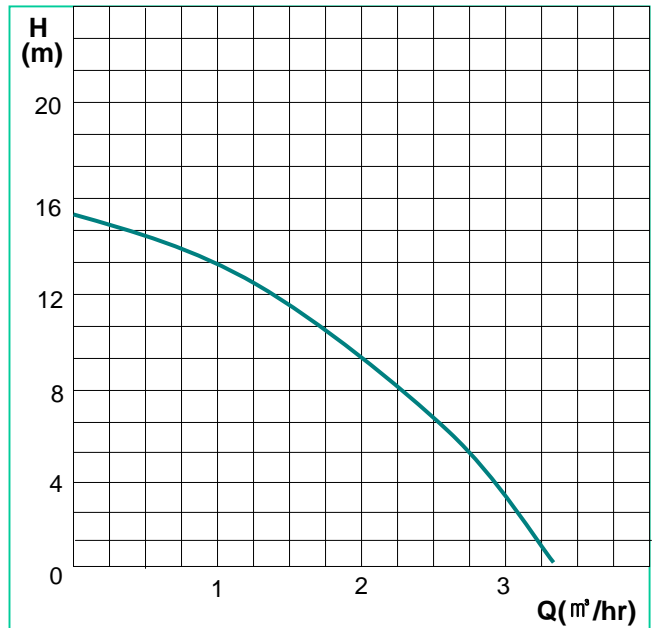
**PB-200EA(50Hz)**

## Application

- Pressure boosting
- Roof tank to tap water transfer
- Pressure boosting hot water

## Technical Data

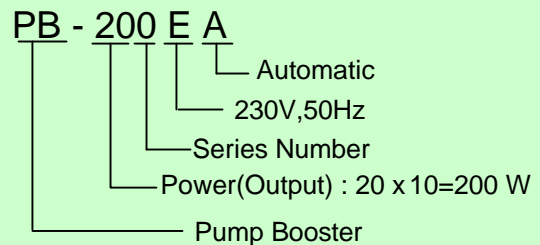
Approved fluids	Clean water
Power Source	230V, 50Hz, Single phase
Max.flowrate	3.2 m <sup>3</sup> /hr
Max.head	15m
Rated speed(rpm)	2900
Fluid temperature	0 °C to +60 °C
Ambient temperature	Up to +40 °C
Max.working pressure	4bar
Flow switch "on" flowrate	0.1 m <sup>3</sup> /hr
Degree of protection(Motor)	IP44
Motor insulation class	B
Voltage tolerance	±10%



## Advantages

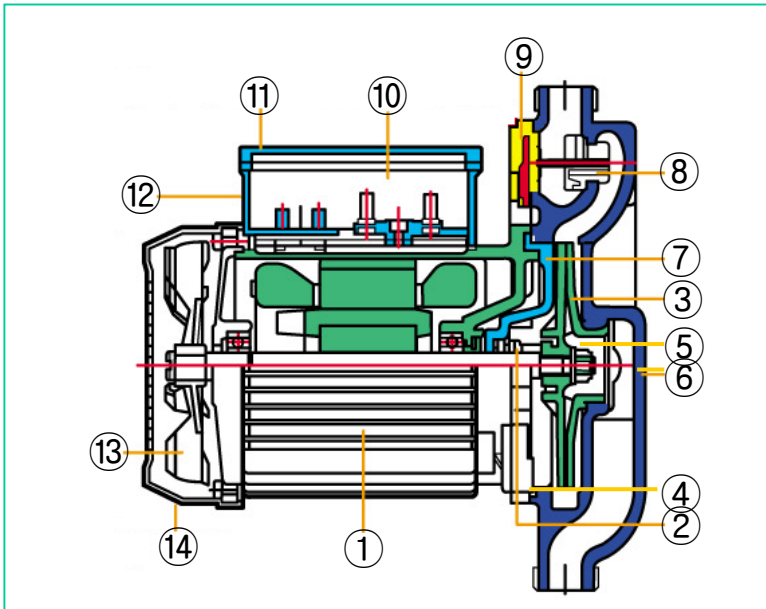
- Stable & Constant water pressure
- Easy installation with Union
- Manual/Off/Auto optional operation
- Motor built with Thermal Protector for safety
- Motor protection grade of IP44
- Low motor temperature
- Rust-proof by electric coating of casing

## Identification

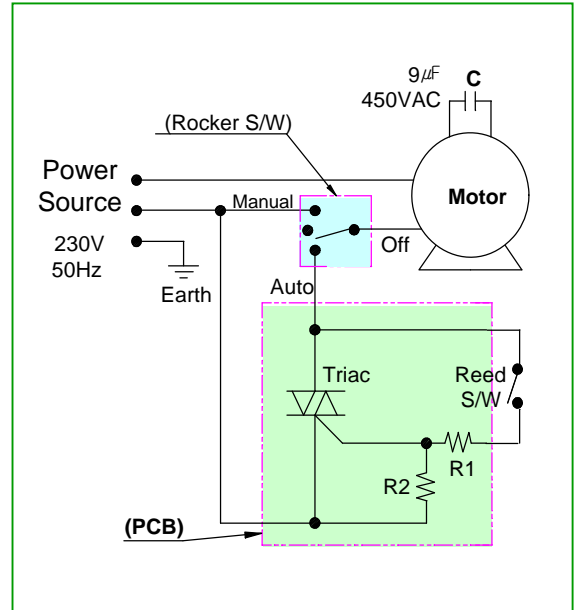


# Home Booster Pump

## Sectional Drawing



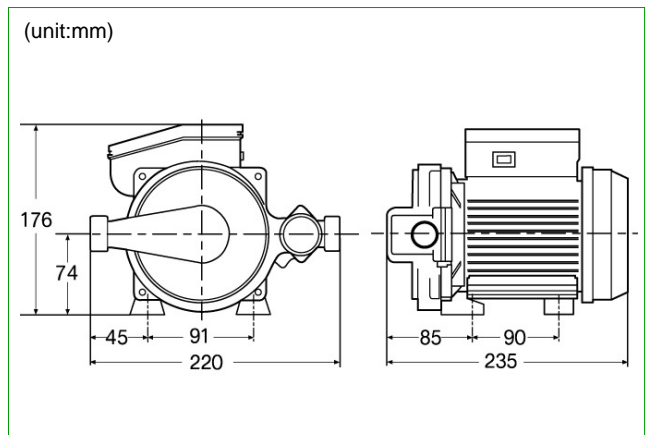
## Wiring Diagram



## Part List & Material

No.	Part Name	Quantity	Material
* 1	Motor Assy	1	-
* 2	Mechanical Seal	1	Carbon & Ceramic
* 3	Impeller	1	Noryl
* 4	O-Ring	1	Rubber
* 5	Washer & Nut	1	STS304
* 6	Casing	1	E-Coated Cast Iron
* 7	Liner	1	E-Coated Cast Iron
* 8	Flow Valve Assy	1	Noryl / Magnet
* 9	Switch Assy	1	PBT + GF30%
* 10	Condenser	1	9μF / 450VAC
* 11	Terminal Cover	1	ABS
* 12	Terminal Base	1	ABS
* 13	Fan	1	PBT
* 14	Fan Cover	1	ABS

## Unit Diagram



\* Recommended Spare Parts

# Home Booster Pump



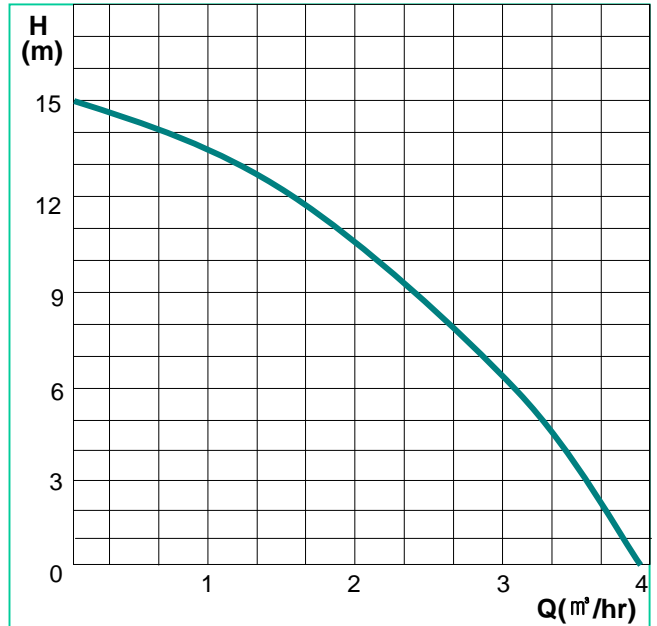
**PB-201EA(50Hz)**

## Application

- Pressure boosting
- Roof tank to tap water
- Pressure boosting hot water

## Technical Data

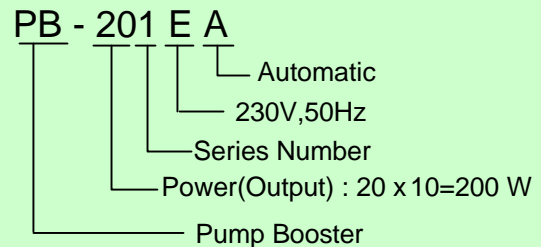
Approved fluids	Clean water
Power Source	230V, 50Hz, Single phase
Max.flowrate	3.9m <sup>3</sup> /hr
Max.head	15m
Rated speed(rpm)	2900
Fluid temperature	0 °C to +80 °C
Ambient temperature	Up to +40 °C
Max.working pressure	5bar
Flow switch "on" flowrate	0.12m <sup>3</sup> /hr
Degree of protection	IP44
Motor insulation class	B
Voltage tolerance	±10%
Piping	25mm



## Advantages

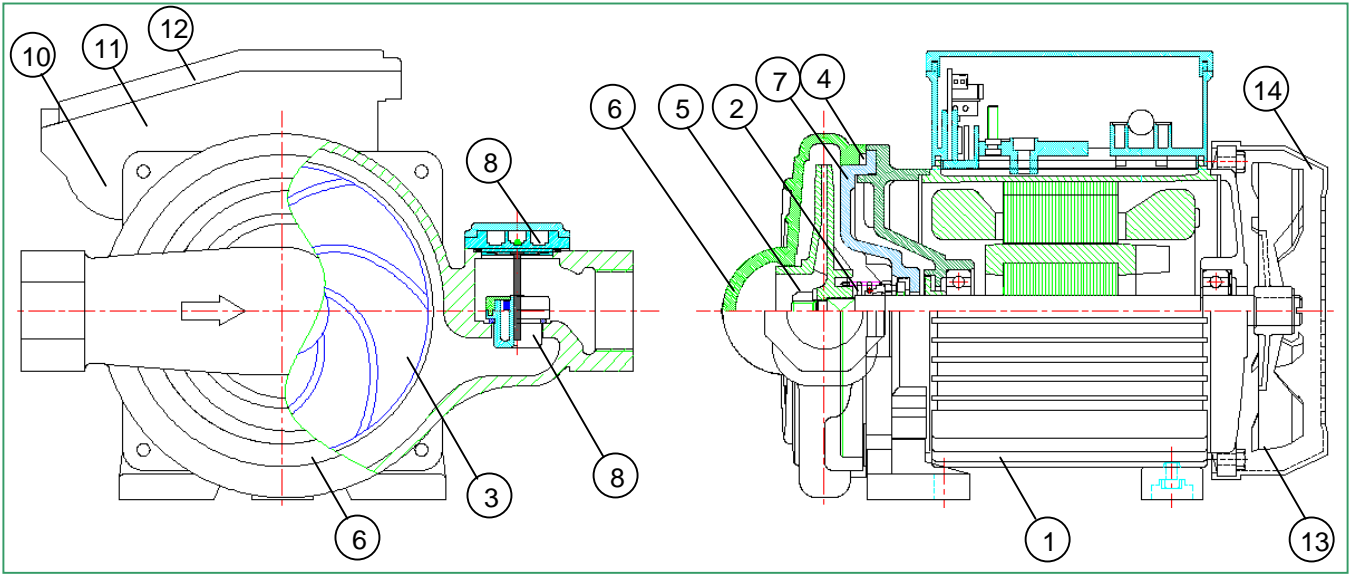
- Stable & Constant water pressure
- Auto /Off/Manual optional operation
- Motor built with Thermal Protector for safety
- Motor protection grade of IP44
- Low motor temperature
- Rust-proof by electric coating of casing

## Identification



# Home Booster Pump

## Sectional Drawing

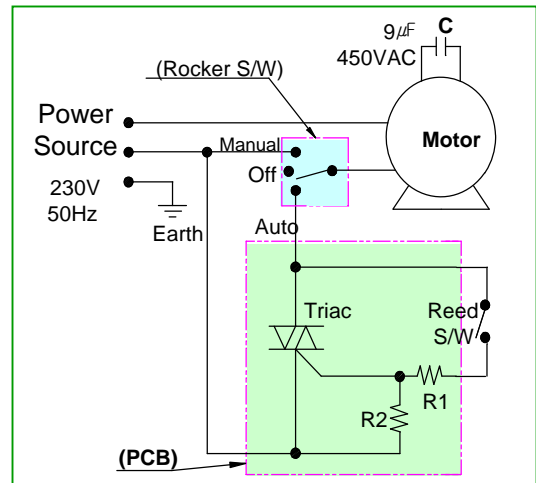


## Part List & Material

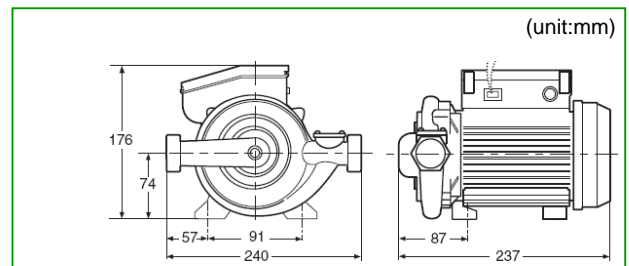
No.	Part Name	Quantity	Material
* 1	Motor Assy	1	-
* 2	Mechanical Seal	1	Carbon & Ceramic
* 3	Impeller	1	Noryl + G/F 20%
* 4	O-Ring	1	Rubber(NBR607)
* 5	Washer & Nut	1	STS304
* 6	Casing	1	E-Coated Cast Iron
* 7	Liner	1	E-Coated Cast Iron
* 8	Flow Valve Assy	1	Noryl / Magnet
* 9	Switch Assy	1	PBT+Reed Contact
* 10	Condenser	1	-
* 11	Terminal Cover	1	ABS
* 12	Terminal Base	1	ABS
* 13	Fan	1	PBT
* 14	Fan Cover	1	ABS

\* Recommended Spare Parts

## Wiring Diagram



## Unit Diagram



# Home Booster Pump



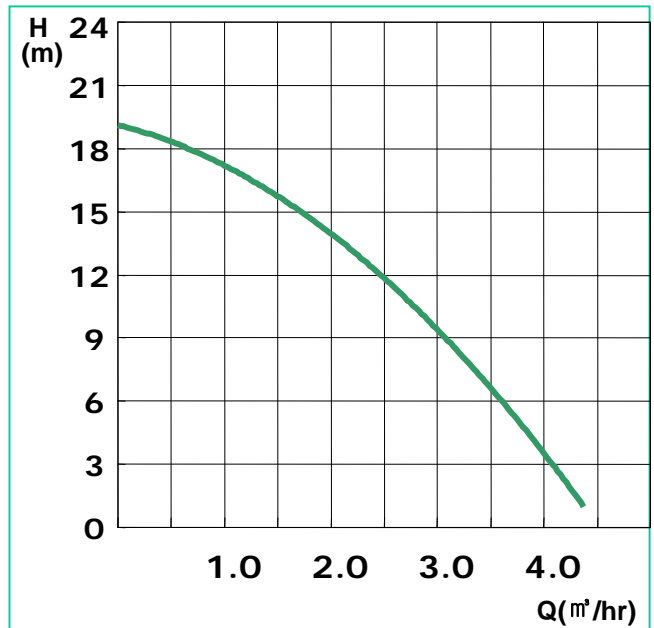
**PB-250SEA**

## Application

- Pressure boosting
- Roof tank to tap water
- Pressure boosting hot water

## Technical Data

Approved fluids	Clean water
Power Source	230V, 50Hz, Single phase
Max.flowrate	4.3 m <sup>3</sup> /hr
Max.head	19m
Rated speed(rpm)	2900
Fluid temperature	0°C to +60°C
Ambient temperature	Up to +40°C
Max.working pressure	3bar
Pressure switch "On" Press.	0.8bar
Flow switch "Off" flowrate	0.3 m <sup>3</sup> /hr
Degree of protection(Motor)	IP44
Motor insulation class	B
Voltage tolerance	±10%

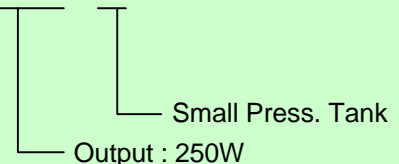


## Advantages

- Stable & Constant water pressure due to Flow switch inside of casing
- Easy installation with Flange
- Motor built with Thermal Protector for safety
- Low motor temperature by Cooling Fan
- Rust-proof by electric coating of casing

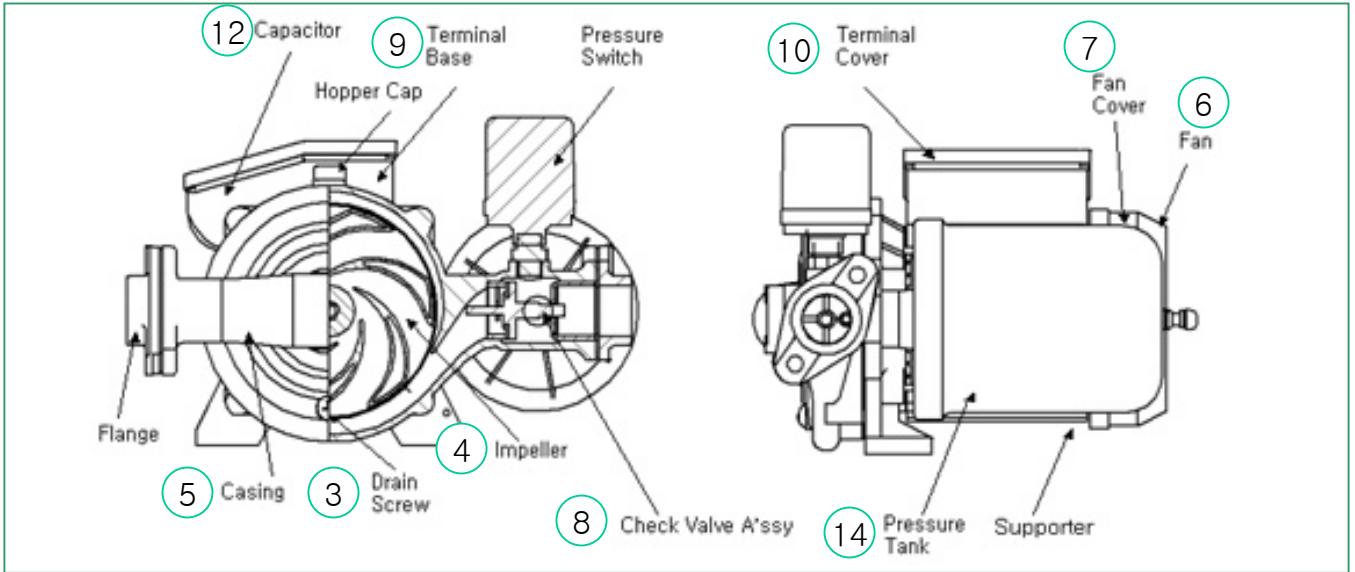
## Identification

P B - 2 5 0 S E A



# Home Booster Pump

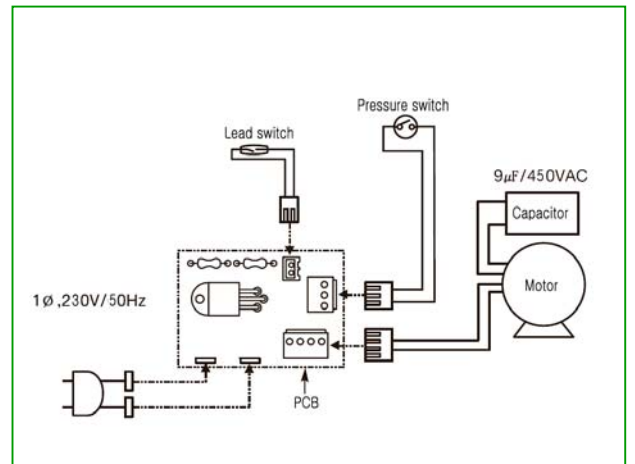
## Sectional Drawing



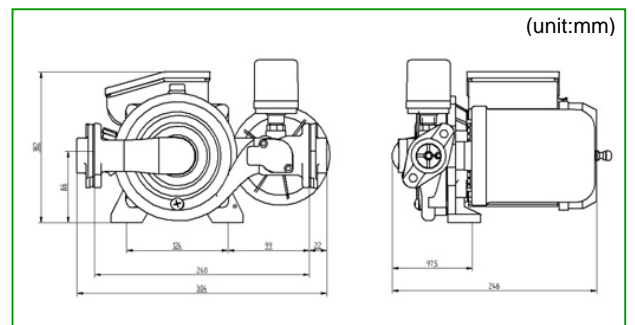
## Part List & Material

No.	Part Name	Quantity	Material
1	Motor Assy	1	-
2	Mechanical Seal	1	Carbon & Ceramic
* 3	Drain screw	1	-
* 4	Impeller	1	Noryl + G/F 20%
* 5	Casing	1	E-Coated Cast Iron
* 6	Fan	1	PBT
* 7	Fan Cover	1	ABS
* 8	Check Valve Assy	1	Noryl & Magnet
* 9	Terminal Base	1	ABS
* 10	Terminal Cover	1	ABS
11	Switch Assy	1	PBT/Reed Contact
* 12	Capacitor	1	-
13	PCB Assy	-	-
* 14	Pressure Tank	-	-

## Wiring Diagram



## Unit Diagram



\* Recommended Spare Parts



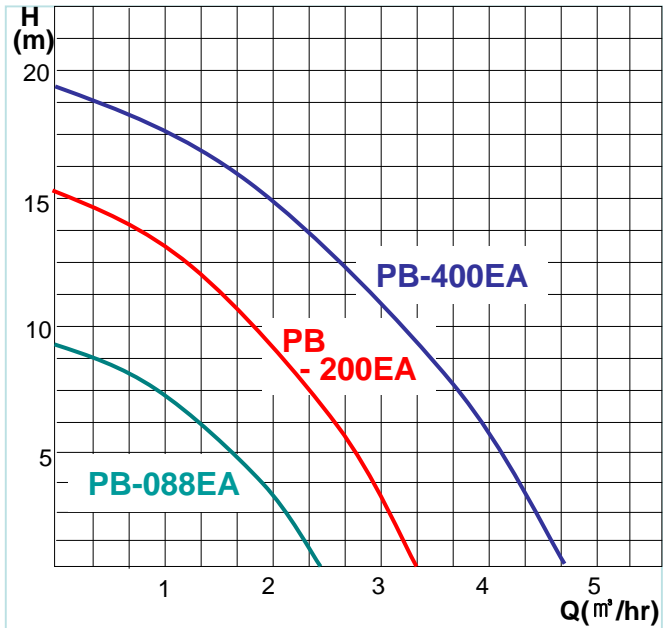
# Home Booster Pump



**PB-400EA (50Hz)**

## Application

- Pressure boosting
- Roof tank to tap water transfer



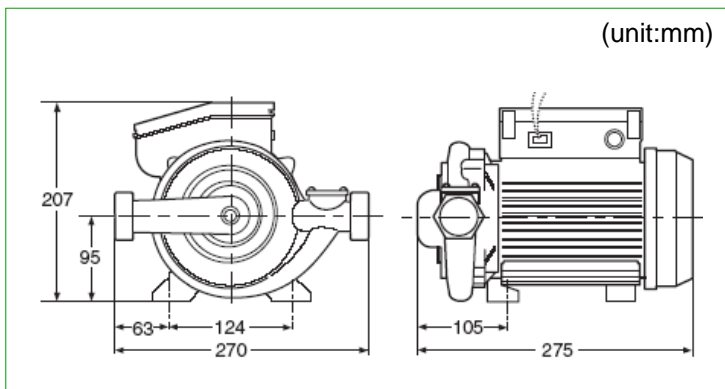
## Advantages

- Stable & Constant water pressure
- Manual/Off/Auto optional operation
- Motor built with Thermal Protector for safety
- Motor protection grade of IPx4
- Low motor temperature
- Rust-proof by electric coating of casing

## Technical Data

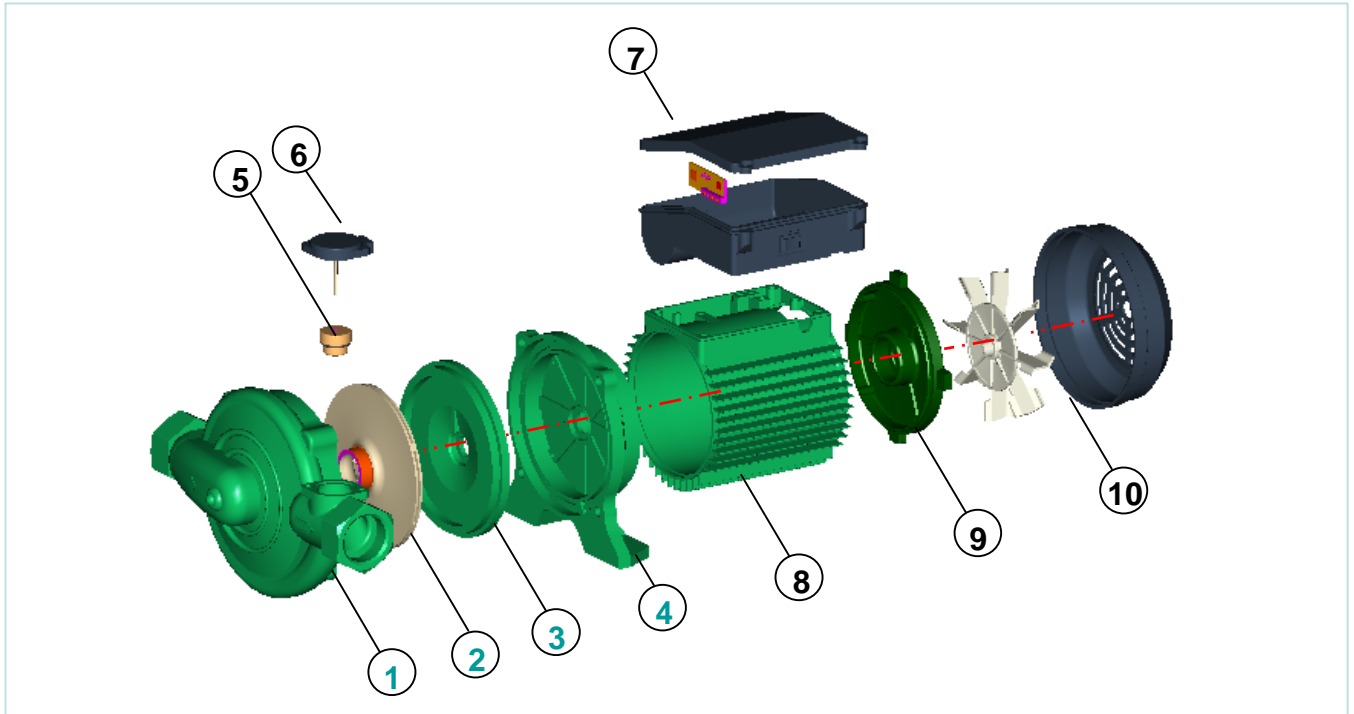
Approved fluids	Clean water
Power Source	220V, 50Hz, Single phase
Max.flowrate	4.8 m³/hr
Max.head	19m
Rated speed(rpm)	2900
Fluid temperature	0°C to +80°C
Ambient temperature	Up to +40°C
Max.working pressure	6bar
Flow switch "on" flowrate	0.1 m³/hr
Degree of protection(Motor)	IPX4
Motor insulation class	B
Voltage tolerance	±10%

## Unit Diagram



# Home Booster Pump

## Sectional Drawing

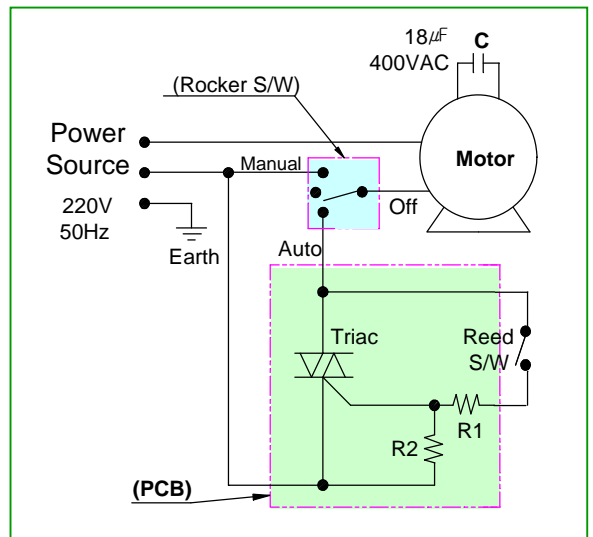


## Part List & Material

No.	Part Name	Quantity	Material
* 1	Casing	1	E-Coated Cast Iron
* 2	Impeller	1	Noryl
* 3	Liner	1	E-Coated Cast Iron
* 4	End Bracket(A)	1	ALDC
* 5	Flow Valve Assy	1	Noryl / Magnet
* 6	Switch Assy	1	PBT / Reed Contact
* 7	Terminal Box	1	ABS
* 8	Motor Frame Assy	1	ALDC / S60
* 9	End Bracket(B)	1	ALDC
* 10	Fan & Fan Cover	1	ABS
*	Condenser	1	18 $\mu$ F / 400VAC
*	Mechanical Seal	1	Carbon & Ceramic
*	O-Ring	-	NBR
*	Gasket	-	NBR

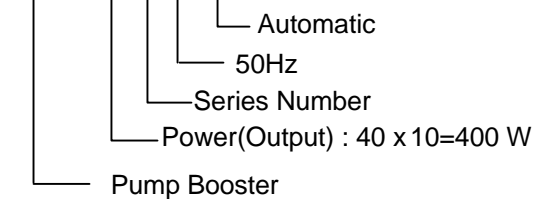
\* Recommended Spare Parts

## Wiring Diagram



## Identification

PB - 400 E A



# Home Booster Pump



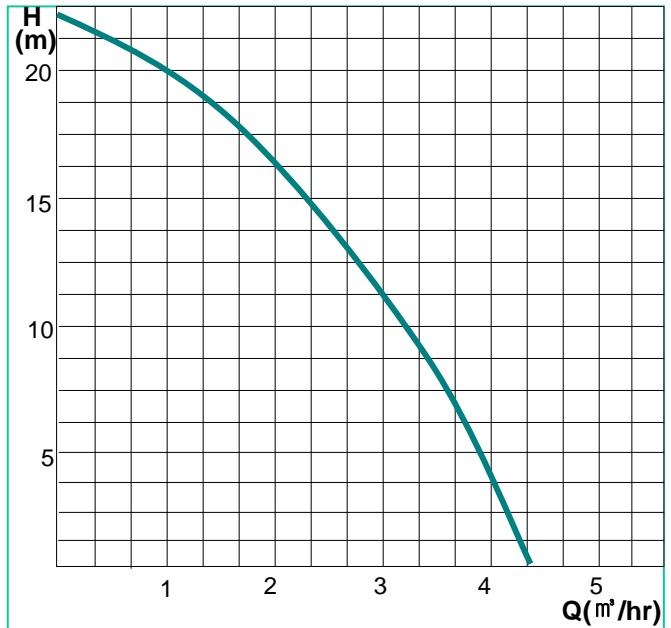
**PB-401SEA**

## Application

- Pressure boosting
- Roof tank to tap water
- Pressure boosting hot water

## Technical Data

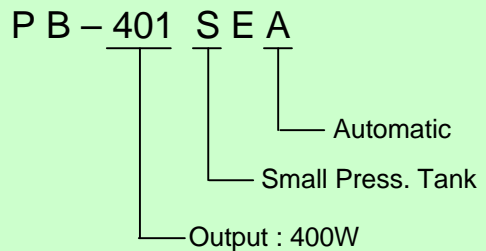
Approved fluids	Clean water
Power Source	220V, 50Hz, Single phase
Max.flowrate	4.2 m <sup>3</sup> /hr
Max.head	22m
Rated speed(rpm)	2900
Fluid temperature	0°C to +60°C
Ambient temperature	Up to +40°C
Max.working pressure	5bar
Pressure switch "On" Press.	1.1bar
Flow switch "Off" flowrate	0.3 m <sup>3</sup> /hr
Degree of protection(Motor)	IP44
Motor insulation class	B
Voltage tolerance	±10%



## Advantages

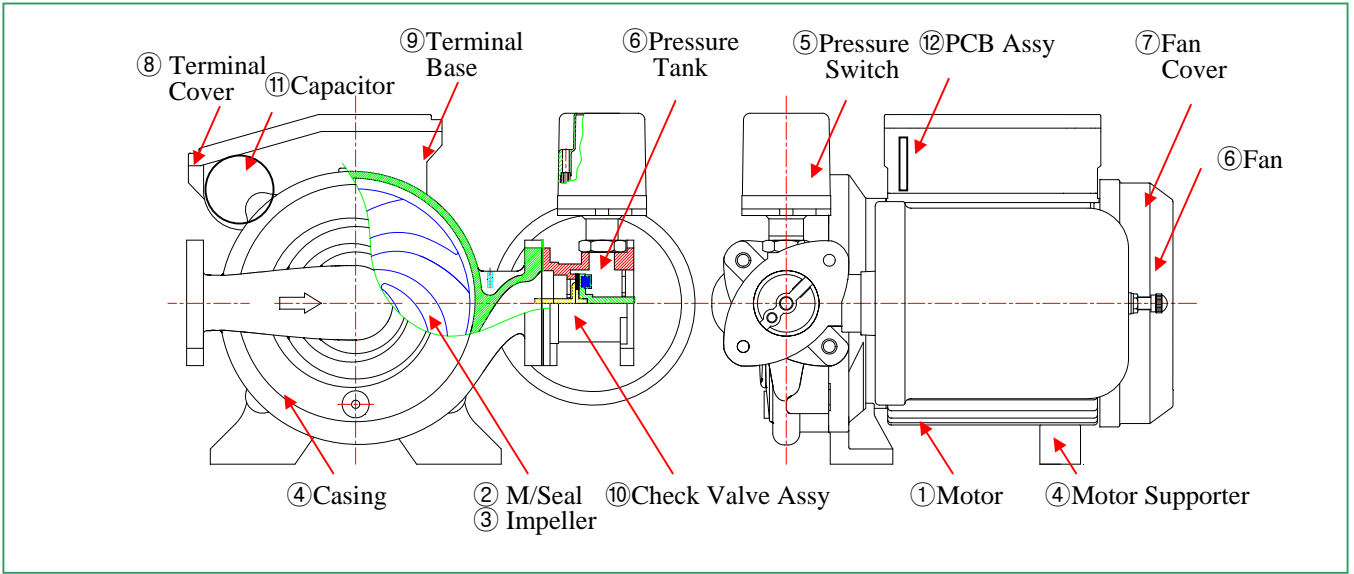
- Stable & Constant water pressure by applying Flow Switch
- Easy installation with Flange
- Motor built with Thermal Protector for safety
- Low motor temperature by Cooling Fan
- Rust-proof by electric coating of casing

## Identification



# Home Booster Pump

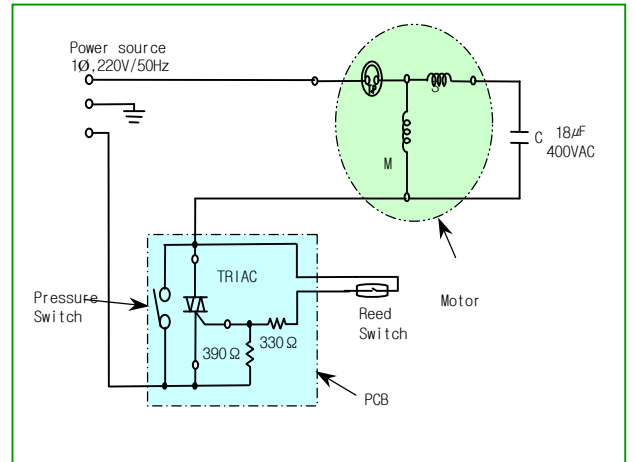
## Sectional Drawing



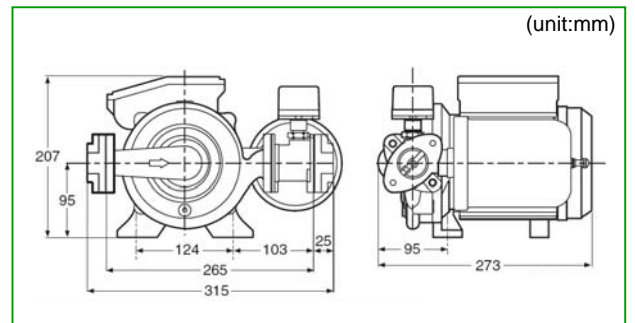
## Part List & Material

No.	Part Name	Quantity	Material
* 1	Motor Assy	1	-
* 2	Mechanical Seal	1	Carbon & Ceramic
* 3	Impeller	1	Noryl + G/F 20%
* 4	Casing	1	E-Coated Cast Iron
* 5	Pressure switch	1	On : 1.1kgf/cm <sup>2</sup>
* 6	Fan	1	PBT
* 7	Fan Cover	1	ABS
* 8	Terminal Cover	1	ABS
* 9	Terminal Base	1	ABS
* 10	Check Valve Assy	1	C3771BD
11	Capacitor	1	-
* 12	PCB Assy	1	-
● 13	Pump Cover	-	P.P
● 14	Pump Base	-	HD P.E

## Wiring Diagram



## Unit Diagram



- \* Recommended Spare Parts
- Optional parts